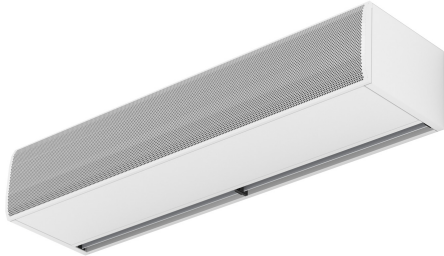


Vlastnosti

Vzduchová clona speciálně pro aplikace do podmínek s extrémním chladem, vlhkostí nebo korozí. KOOL je kompaktní vzduchová clona malého rozměru s oku lahodícím nadřasovým designem. Díky konstrukci výstupu vzduchu je zajištěna nízká turbulence a vysoká rychlost proudu vzduchu, čímž dojde k účinnému oddělení prostorů s vysokými rozdíly teplot.



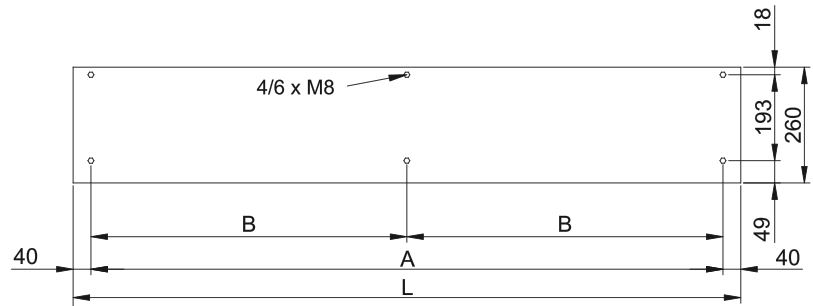
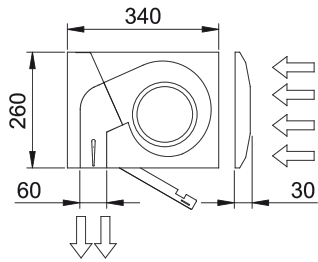
- Specially recommended in applications with extrem cold and/or humidity and/or corrosion conditions.
- Self-supporting casing construction made of galvanized steel plate, finished in structural epoxy-polyester painting white colour RAL9016 as standard. Other colours or stainless steel are available on request.
- Large faceted inlet grille avoiding intensive maintenance. Also available with flat micro-perforated inlet grille, more elegant for commercial doors where heating is not needed.
- Anodized aluminium outlet vanes, airfoil shaped, adjustable from 0 to 15° each side.
- Double-inlet centrifugal fans driven by an external rotor motor and low noise level with special IP55 protection made by: sealed bearings, encapsulate stator and wire sealed with silicone. 5-speed selector.
- Includes IP55 waterproof case for electronic components and transformer and all wire connections, including IP68 press releases.
- IMPORTANT: The electronic and transformer waterproof case cannot be assembled inside the air curtain. The customer should look for a place outside the air curtain. The dimensions of this case are 170x225x150mm.
- Includes Plug&Play control with 7m RJ45 cable and infrared remote control. Optional: Clever control (programmable, automatic, intelligent, energy saving, Modbus RTU for BMS...)

Specifikace

50Hz

Model	Neohřívání	
	(m³/h)	(m)
KM 1000 A IP55	2,5-3,5	
KM 1500 A IP55	2,5-3,5	
KM 2000 A IP55	2,5-3,5	
KM 2500 A IP55	2,5-3,5	
KM 3000 A IP55	2,5-3,5	
KG 1000 A IP55	3-4	
KG 1500 A IP55	3-4	
KG 2000 A IP55	3-4	
KG 2500 A IP55	3-4	
KG 3000 A IP55	3-4	

Rozměry



L	A	B
1000	920	-
1500	1420	710
2000	1920	960
2500	2420	1210
3000	2920	1460

