



Characteristics



- Energy saving heat pump air curtains: Up to 70% reduction in costs and CO₂ emissions (heating mode).
- Self-supporting casing construction made of galvanized steel plate, finished in structural epoxy-polyester painting white colour RAL9016 as standard. Other colours or stainless steel are available on request.
- Front panel with option to customize and the possibility of including personalized logos, signs, graphic designs, images, etc.
- The inlet areas are located behind the front panel. They do not need maintenance.
- Anodized aluminium outlet vanes, airfoil shaped, adjustable from 0 to 15° each side.
- EC Double-inlet centrifugal fans driven by an external rotor motor and low noise level, with very low consumption efficiency fans.
- Includes direct expansion coil with sensors. Optional condensate water pump.
- CS-5DX-NE Plug&Play control with 5 speeds and telephone cable 7m included.
- Requires CARRIER VRF Interface KIT adapted for air curtain, programmable control and expansion valve, please consult.
- Ready to connect to CARRIER VRF outdoor heat pump unit (R410A), not included, the customer should purchase it.

Specifications

| Model | Airflow m ³ /h | Carrier Direct Expansion Valve | Power Fan 230V-50Hz kW | Current Fan 230V-50Hz A | Noise Level (5 m) dB(A) | Weight kg |
|-----------------------|------------------------------|--------------------------------------|---------------------------------|----------------------------------|----------------------------------|--------------|
| DAM ECM 1500 VRF12-CA | 2460 | MMDXV140 | 0,213 | 1,86 | 57 | 64 |
| DAM ECM 2000 VRF16-CA | 3280 | MMDXV140 | 0,284 | 2,48 | 58 | 81 |
| DAM ECM 2000 VRF19-CA | 3280 | MMDXV280 | 0,284 | 2,48 | 58 | 81 |
| DAM ECM 2500 VRF21-CA | 4100 | MMDXV280 | 0,355 | 3,10 | 59 | 89 |
| DAM ECM 2500 VRF24-CA | 4100 | MMDXV280 | 0,355 | 3,10 | 59 | 89 |
| DAM ECM 3000 VRF26-CA | 4920 | MMDXV280 | 0,426 | 3,72 | 60 | 103 |
| DAM ECG 1000 VRF10-CA | 2190 | MMDXV140 | 0,213 | 1,86 | 61 | 48 |
| DAM ECG 1500 VRF13-CA | 2920 | MMDXV140 | 0,284 | 2,48 | 62 | 70 |
| DAM ECG 1500 VRF15-CA | 2920 | MMDXV140 | 0,284 | 2,48 | 62 | 70 |
| DAM ECG 2000 VRF20-CA | 4380 | MMDXV280 | 0,426 | 3,72 | 63 | 91 |
| DAM ECG 2000 VRF24-CA | 4380 | MMDXV280 | 0,426 | 3,72 | 63 | 91 |
| DAM ECG 2500 VRF25-CA | 5110 | MMDXV280 | 0,497 | 4,34 | 64 | 97 |
| DAM ECG 2500 VRF29-CA | 5110 | MMDXV280 | 0,497 | 4,34 | 64 | 97 |
| DAM ECG 3000 VRF29-CA | 5840 | MMDXV280 | 0,568 | 5,96 | 65 | 111 |

CARRIER VRF Outdoor Units

XPower Mini VRF and XPower VRF 2 pipes (Heat Pump)

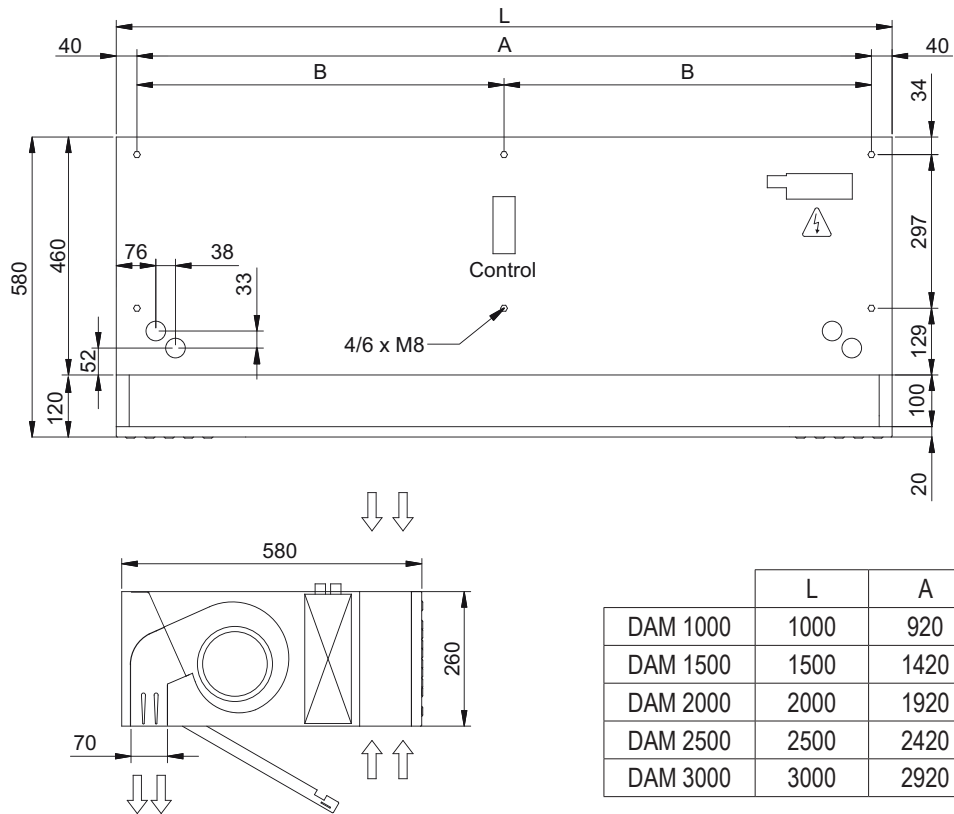
XPower VRF 3 pipes (Heat Recovery)



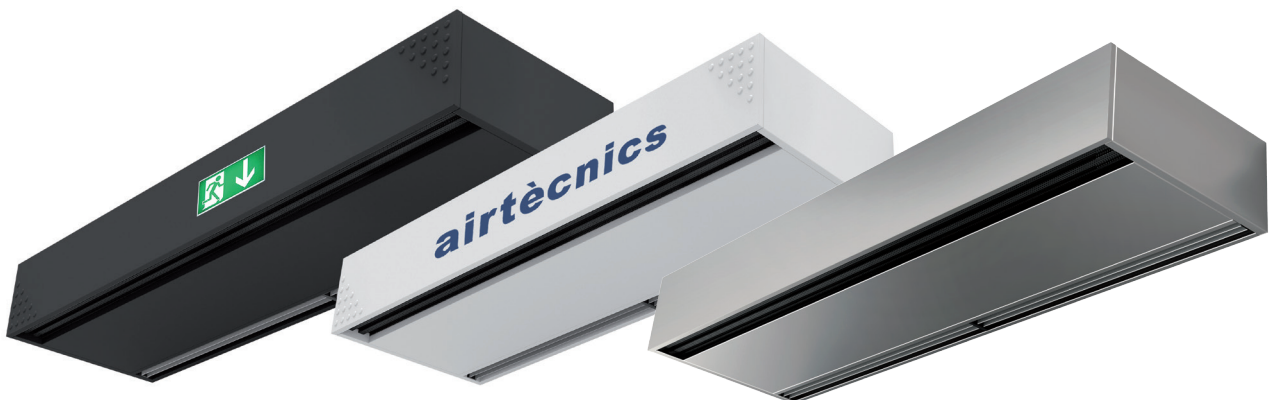
When adverse weather conditions, the outdoor unit capacity can decrease. It is recommendable to oversize the units.



Dimensions



Finishes and details



- Painted any RAL colour
- Available in stainless steel AISI 304 (brushed)
- Customizable with logos, signs, vinyls, etc.