



Technical Features



RAL 9016
standard



Other colors
on request



Maximum range
1,8 m



Airflow / Length
420 - 630 m³/h
0,6 m to 0,9 m



Fan
Compact axial fans



Heating type
E : electrical 1 stage
A : unheated



Heating capacity
E : 2,5 - 3,2 kW



Control
**Inbuilt switch for ventilation
and heating control**



Casing
Galvanised steel



Inlet grille
**Circular with
finger guard**



Outlet lamellas
Aluminium, airfoil type

Power supply cable integrated (1,5m length)

MINIBEL air curtain is suitable for installations where the opening of a small door or window is required while maintaining the air conditioning inside. Thus, it is the ideal complement to maintain the temperature in establishments such as kiosks, service windows such as toll booths or fast food, and small sized shops entrances. In addition, you can select the "E" model, which includes heating. All MINIBEL air curtains are supplied with wall supports.

❄ UNHEATED

Model	Airflow m ³ /h	Ventilation power 230V~50Hz W	Ventilation current 230V~50Hz A	Noise level (5 m) dB(A)	Weight kg
MIN 600 A	420	60	0,52	46	9
MIN 900 A	630	90	0,78	47	12,5

⚡ ELECTRIC HEATED

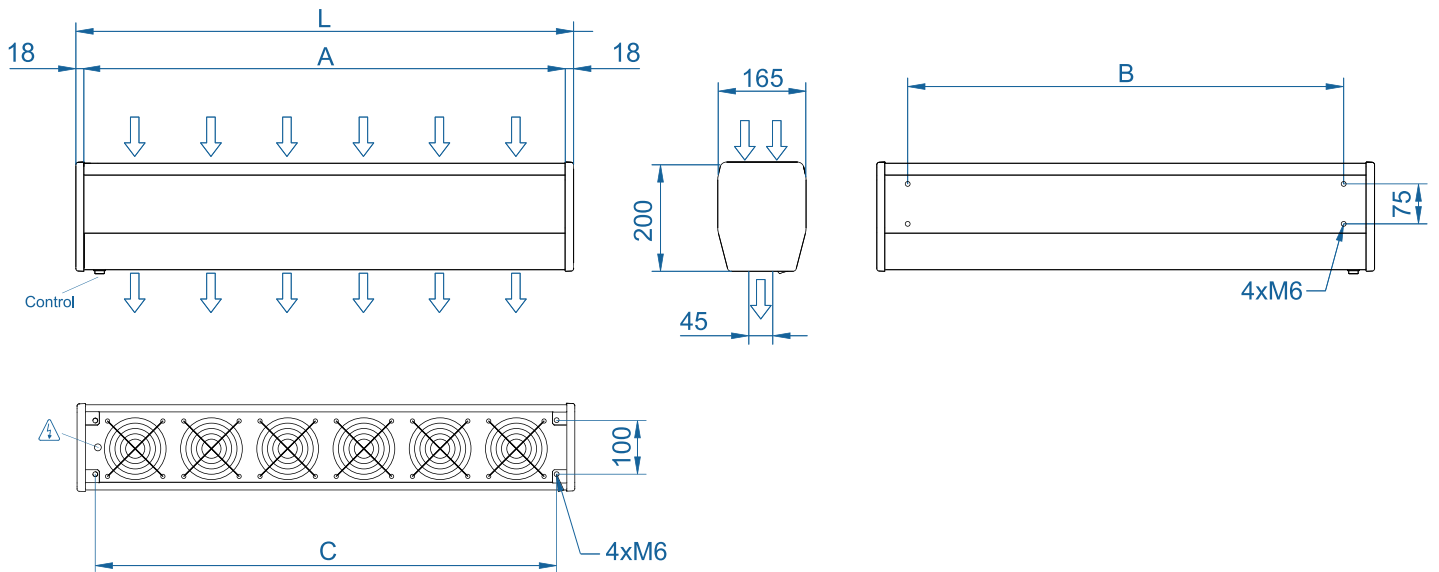
Model	Airflow m ³ /h	Ventilation power 230V~50Hz W	Ventilation current 230V~50Hz A	Electrical heating capacity 230V~50Hz kW	Noise level (5 m) dB(A)	Weight kg
MIN 600 E230	420	60	0,52	2,5	46	10
MIN 900 E230	630	90	0,78	3,2	47	13,5



Selection program



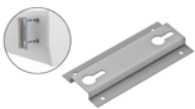
Dimensions



	L	A	B	C
MIN 600	636	600	520	566
MIN 900	936	900	820	866

Optional Accessories

Supports and installation



Omega wall support
SPT1

✓ Included



Silentblock support
SPANG SLB

CAD drawings, BIM files, installation manuals and other documentation

